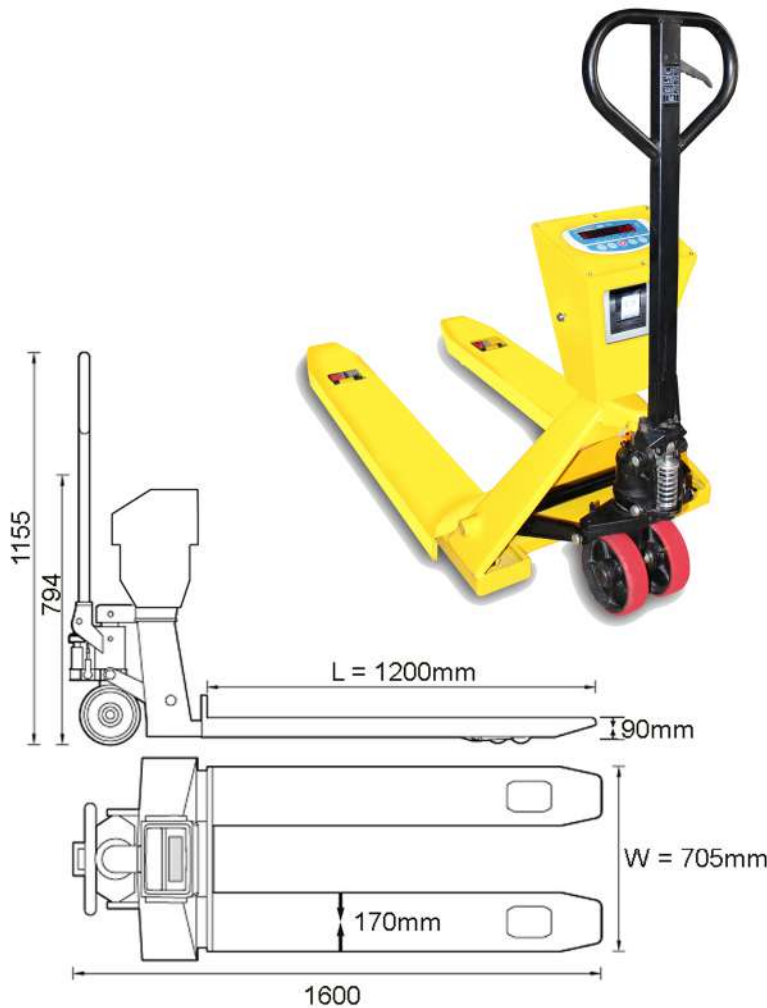


Pallet Scale SONIC T18



Feature:

- Hydraulic lift and low
- Strong iron construction
- Auto power saving mode and auto off function
- Selectable weighing capacity and precision
- Suitable for industrial environment
- Overload protection load cell
- High bright red LED display
- Durable polyurethane wheels
- Solid and optimum design for logistics
- Built in thermal printer (options)

Model Name		Pallet Scale T18	
Size	w (mm)	705	705
	L (mm)	1200	1200
Capacity (kg)		1,000	2,000
Readability (kg)		0.5	1
Overload protection (kg)		1,500	2,500
Power supply		Rechargeable battery + adaptor	
Operating time		100 hours (continuous usage)	
Battery Charging time		12 Hours	
Operating Temp.		-10°C ~ 40°C	
Option		Thermal Printer	